



RENEWABLE
ENERGY
CELL CARBON



SPECIFICATION

Nominal Voltage	12V	
Nominal Capacity(100HR)	220AH	
Dimension	Length	520 ± 2mm (20.47 inches)
	Width	239 ± 2mm (9.41 inches)
	Container Height	220 ± 2mm (8.66 inches)
	Total Height (with Terminal)	225 ± 2mm (8.86 inches)
Approx Weight	Approx 63.5 kg (139.7 lbs)	
Terminal	T11 (M8)	
Container Material	ABS	
Rated Capacity	220AH / 2.2A	(100hr, 1.80V/cell, 30°C/86°F)
	184AH / 9.2A	(20hr, 1.80V/cell, 30°C/86°F)
	173AH / 17.3A	(10hr, 1.80V/cell, 30°C/86°F)
	152AH / 30.4A	(5hr, 1.75V/cell, 30°C/86°F)
	135AH / 45A	(3hr, 1.75V/cell, 30°C/86°F)
110AH / 110A	(1hr, 1.60V/cell, 30°C/86°F)	
Max. Discharge Current	1200 CCA	
Internal Resistance	4 mΩ	
Operating Temp.Range	Discharge :	-15 ~ 50°C (5 ~ 122°F)
	Charge :	0 ~ 40°C (32 ~ 104°F)
	Storage :	-15 ~ 40°C (5 ~ 104°F)
Nominal Operating Temp. Range	27 ± 3°C (80± 5°F)	
Cycle Use	Initial Charging Current less than 65A.Voltage	
	14.1V~14.4 at 25°C(77°F) Temp. Coefficient -30mV/°C	
Standby Use	13.3V~13.7V at 25°C(77°F) Temp. Coefficient -20mV/°C	
Capacity affected by Temperature	40°C (104 °F)	102%
	30°C (86 °F)	100%
	0°C (32 °F)	86%
Self Discharge	NOMAD POWER C2 series batteries may be stored for up to 3 months at 25°C(77°F) and then a freshening charge is required. For higher temperatures the time interval will be shorter.	

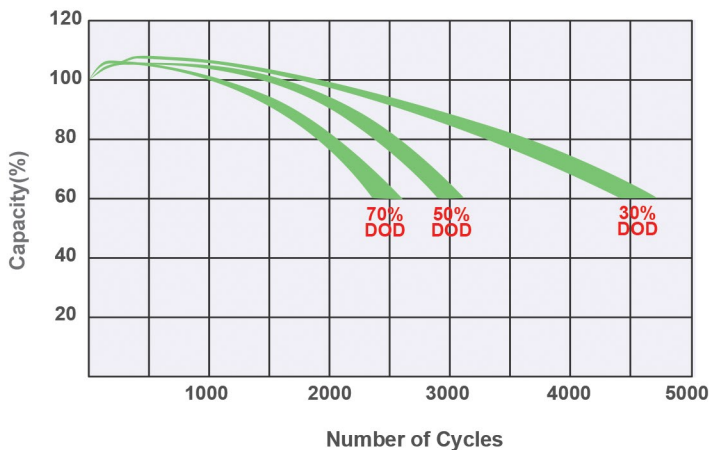
The Nomad Power C2 Carbon battery has a superior resistance against partial states of charge (PSOC) wear, a chemical reaction called sulfation that occurs during the charging cycle and is the primary reason for ordinary batteries failing.

The Nomad Power C2 battery provides not only extremely fast recharging over a wide charging voltage range, but high power and discharge rates through supercapacitors. This together with a longer cycle life (4500 cycles at 30% DOD) giving a 10+ year lifespan make the C2 the sole choice for all demanding energy storage applications.

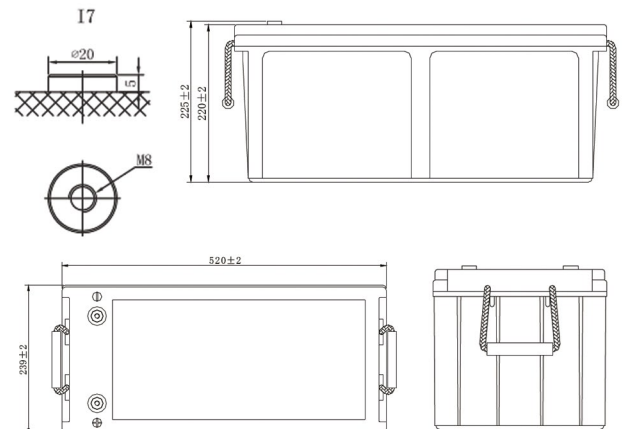
APPLICATIONS

- ✓ Residential or commercial off-grid systems
- ✓ RV and marine
- ✓ Engine starting
- ✓ Communication, Data centers and UPS
- ✓ Electric vehicles and motors

CYCLE LIFE VS. DEPTH OF DISCHARGE



TERMINAL PHOTO



www.nomadpower.net

© 2023 Nomad Power Systems. All Rights Reserved.

All trademarks owned by Nomad Power Systems or its affiliated companies.