

NMCB SERIES CIRCUIT BREAKER



SPECIFICATION

Amperage	100A
Maximum Voltage	60V DC
Mounting	Surface Mount with protective stud insulators included
Type	Thermal Bi-metal blade
Terminal Stud	1/4" (accepts M6 Ring Terminal and larger)
Terminal Stud Torque	5.6 Nm (50 in-lb)
Interrupt Capacity	3KA @ 48V Achieved using SAE J1625
Operating Temperature	-32° C to 82° C (-30° F to 180° F)
Circuit Breaker Class	Type 3 - manual reset and switchable and trip free (cannot be held closed after trip)
Standards Compliance	S.A.E, J1625, J1171, ABYC E-11, UL1500 (Ignition Protected)
Weight	0.25kg
Housing	Flame retardant thermoplastic rated UL 94V0
Environmental rating	IP67 (splash and dust proof) and weather resistant

The NMCB range provides robust and accurate circuit protection and was created to be safe aboard gasoline powered boats and vehicles, meets SAE J1171 external 100A ignition protection requirements.

Suitable to use in non clean and non dry environments

Combines switching and circuit protection into a single device

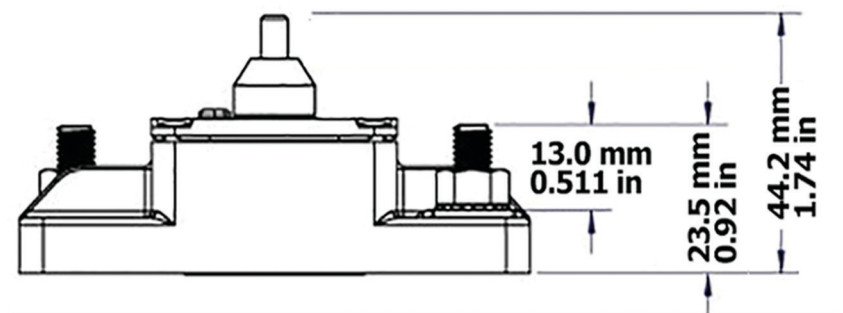
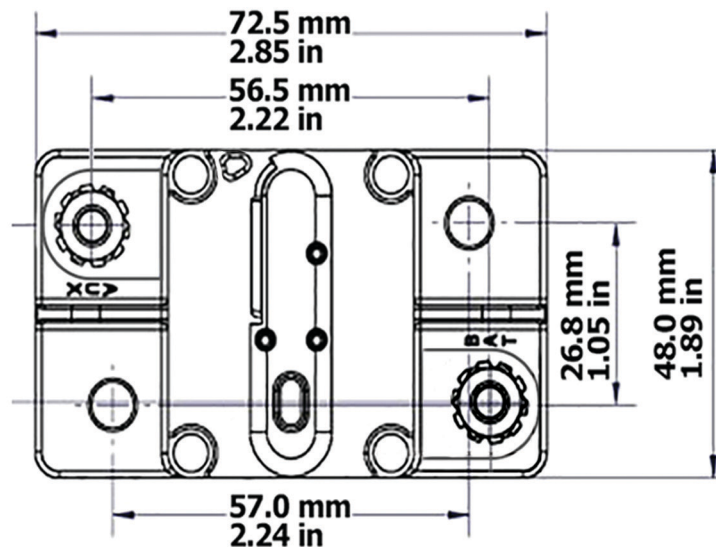
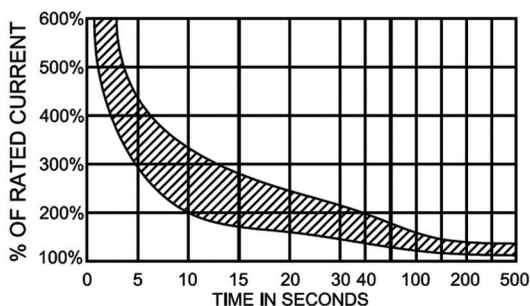
Trip free, should a short circuit or tripping condition occur, the contacts are forced apart and the breaker cannot be held closed by means of the lever.

APPLICATIONS

This single pole thermal type breaker is ideal for

- ✓ Auxiliary and accessory circuits
- ✓ Inverters
- ✓ Trucks, buses
- ✓ RVs and marine applications
- ✓ Battery chargers
- ✓ DC audio systems

TIME VS. PERCENT OF RATED CURRENT



www.nomadpower.net

©2021 Nomad Power Systems. All Rights Reserved.

All trademarks owned by Nomad Power System or its affiliated companies.